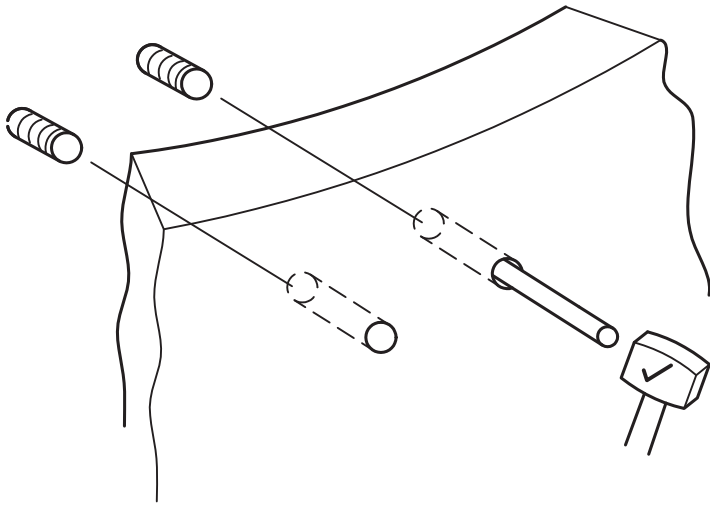


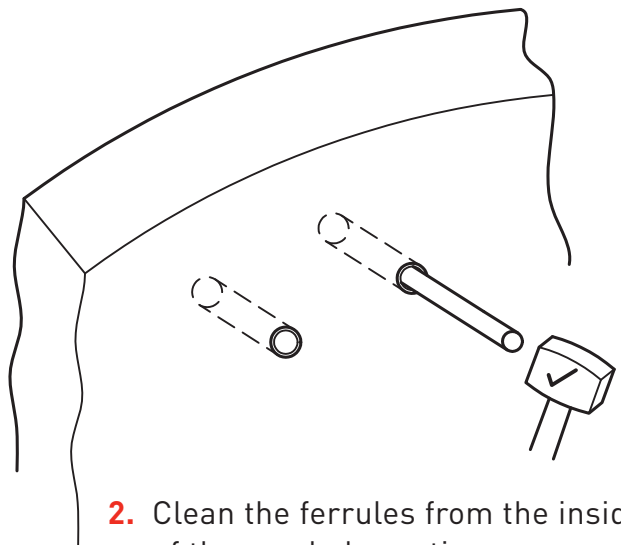
# Installation Procedure

Fixing into a Precast Anchor or Ferrule

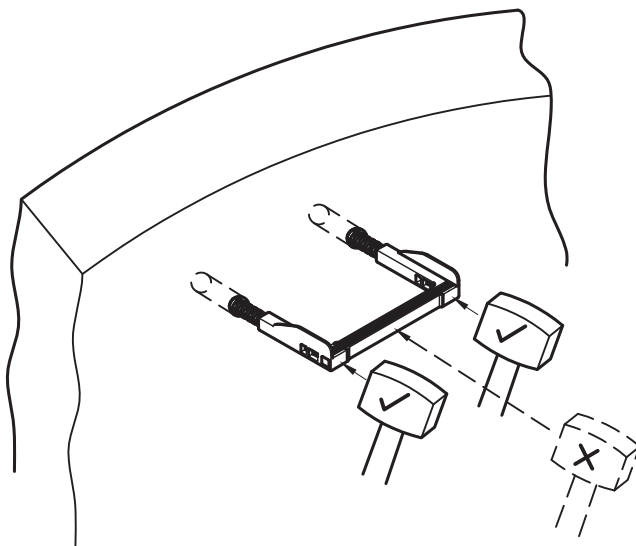
**SURE-STEP®**



1. Clean the 26mm internal diameter precast anchor or ferrule using a steel rod and mallet knocking the cap out of the ferrule

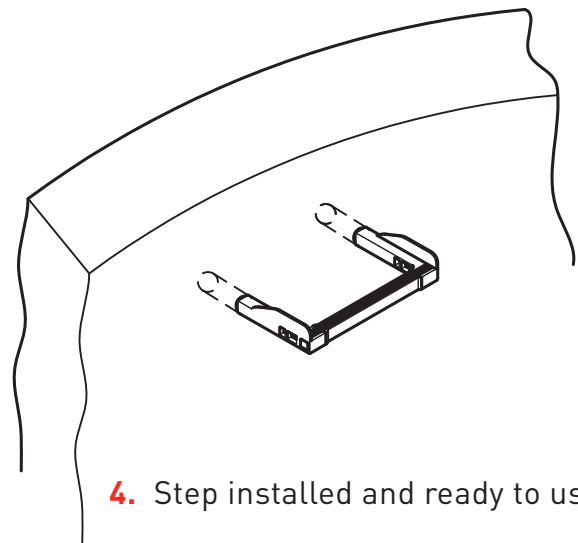


2. Clean the ferrules from the inside of the manhole section



3. Evenly hammer the step into the holes

DO NOT HAMMER ON THE  
CENTRE PART OF THE RUNG



4. Step installed and ready to use

For fixing into an oversized hole (28mm) with an epoxy resin **See Reverse**



**Industrial Steps & Ladders Pty Ltd** 42 Hogarth Street Cannington WA 6107  
**Telephone** 1300 737 554 **Factory** (08) 9258 9488 **Facsimile** (08) 9258 9599  
**Email** info@industrialsteps.com **Web** www.industrialsteps.com  
Sure-Step® is a Trade Mark of Industrial Steps & Ladders Pty Ltd

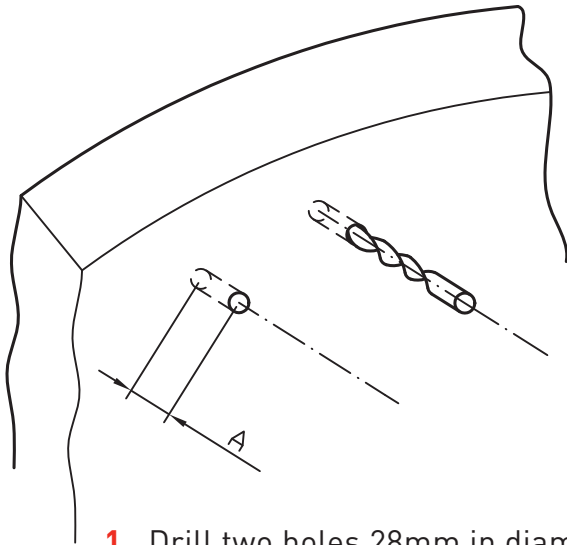
**Modular Step  
Engineering**

**Please follow instructions carefully because incorrect installation will not allow Sure-Step to perform to its full capacity**

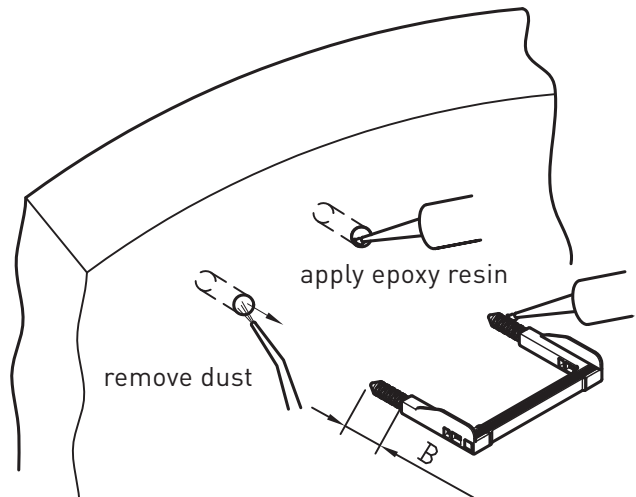
# Installation Procedure

Fixing into an oversized hole (28mm) with an epoxy resin

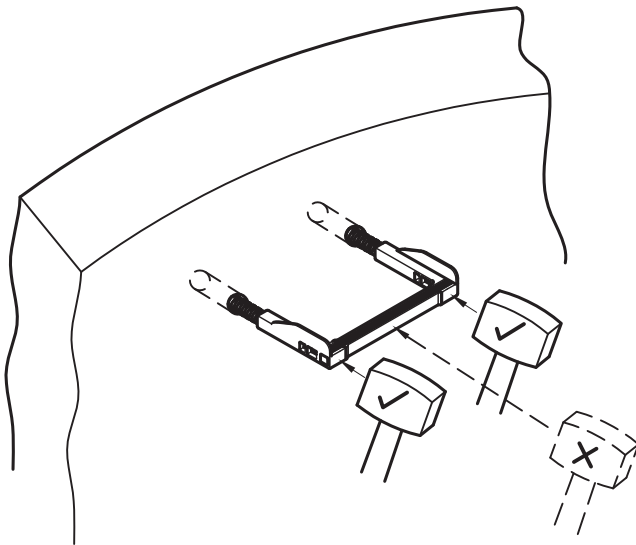
## ***Sure-Step***<sup>®</sup>



1. Drill two holes 28mm in diameter to suit the relevant step width horizontally and Parallel to each other into the chamber wall Distance A should be greater than distance B

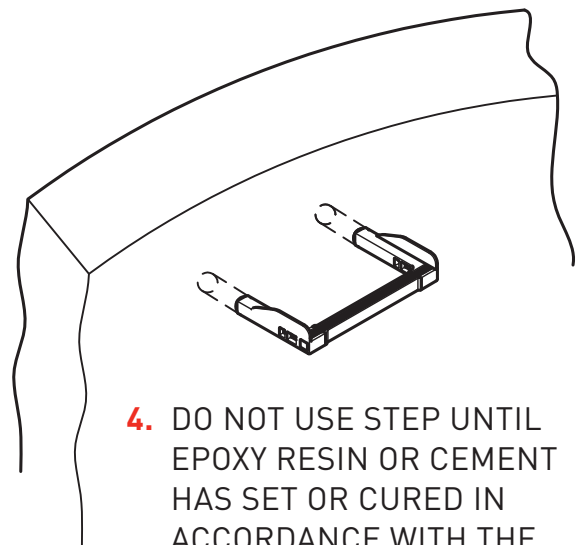


2. Remove concrete dust from holes and apply epoxy resin or quick drying cement to the step leg and inside the holes



3. Evenly hammer the step into the holes

DO NOT HAMMER ON THE  
CENTRE PART OF THE RUNG



4. DO NOT USE STEP UNTIL EPOXY RESIN OR CEMENT HAS SET OR CURED IN ACCORDANCE WITH THE SUPPLIERS INSTRUCTIONS

For fixing into a Precast Anchor or Ferrule

See Reverse



**Industrial Steps & Ladders Pty Ltd** 42 Hogarth Street Cannington WA 6107  
**Telephone** 1300 737 554 **Factory** (08) 9258 9488 **Facsimile** (08) 9258 9599  
**Email** info@industrialsteps.com **Web** www.industrialsteps.com  
Sure-Step<sup>®</sup> is a Trade Mark of Industrial Steps & Ladders Pty Ltd

## Modular Step Engineering

Please follow instructions carefully because incorrect installation will not allow Sure-Step to perform to its full capacity